

RENAISSANCE WINDOWS AND DOORS

SERIES 8500 VINYL SINGLE HUNG WINDOW

INSTALLATION ANCHORAGE DETAILS

INSTALLATION NOTES:

- PRODUCT ANCHORS SHALL BE AS DESIGNATED AND LOCATED AS SHOWN IN THIS PRODUCT EVALUATION DOCUMENT. ANCHOR EMBEDMENT AND EDGE DISTANCE EXCLUDE WALL FINISHES, INCLUDING BUT NOT LIMITED TO STUCCO, FOAM, BRICK VENEER AND SIDING.
- SEE INSTALLATION ANCHOR SCHEDULE ON SHEET 2 FOR TYPE AND GRADE OF ANCHOR, AND/OR MANUFACTURER'S ANCHOR SPECIFICATIONS, INCLUDING MINIMUM NOMINAL SIZE, MINIMUM EMBEDMENT INTO SUBSTRATE AND MINIMUM EDGE DISTANCES.
 - EDGE DISTANCES SHALL BE MEASURED FROM CENTERLINE OF ANCHOR TO EDGE OF STRUCTURAL SUBSTRATE EITHER TO THE INTERIOR OR EXTERIOR OF THE FENESTRATION PRODUCT.
 - MINIMUM EMBEDMENT SHALL BE BASED ON PENETRATION INTO MAIN WIND FORCE RESISTING SYSTEM SUBSTRATE.
- SEE SHEETS 5 THROUGH 10 FOR SPECIFIC ANCHOR INSTALLATION DETAILS.
- ONE (1) INSTALLATION ANCHOR IS REQUIRED AT EACH ANCHOR LOCATION SHOWN.
- ANCHOR QUANTITIES AND SPACING / EMBEDMENT AND EDGE DISTANCE
 - THE NUMBER OF INSTALLATION ANCHORS IS BASED ON THE MAXIMUM END DISTANCE (ED) AND THE MAXIMUM ON CENTER (O.C.) SPACING PLACEMENT OF ANCHORS IN ACCORDANCE WITH ELEVATIONS ON SHEETS 3 AND 4.
 - END DISTANCES AND O.C. SPACINGS LESS THAN THAT SHOWN IN THE ELEVATIONS ON SHEETS 3 AND 4 ARE ACCEPTABLE.
 - FOR WINDOW SIZES SMALLER THAN THOSE SHOWN, ANCHOR QUANTITIES CAN BE REDUCED WHILE MAINTAINING EDGE DISTANCE AND O.C. SPACING REQUIREMENTS.
 - ANCHOR QUANTITIES AND SPACINGS SHOWN ARE BASED ON THE LOWER OF ANCHOR SPACING USED IN TESTING OR REQUIRED BY LOADING AT DESIGN PRESSURE.
 - SEE EMBEDMENT AND EDGE DISTANCE DESCRIPTION ON SHEET 2.
- MAXIMUM ALLOWABLE SHIM THICKNESS IS 1/4 INCH. SHIM WHERE SPACE OF 1/16 INCH OR GREATER OCCURS. SHIM(S) SHALL BE CONSTRUCTED OF WOOD COMPOSITE, HIGH DENSITY PLASTIC OR SIMILAR LOAD BEARING MATERIAL.
- FOR CONCRETE BLOCK APPLICATIONS DO NOT INSTALL INSTALLATION ANCHORS INTO MORTAR JOINTS.
- INSTALLATION ANCHORS SHALL BE INSTALLED IN ACCORDANCE WITH ANCHOR MANUFACTURER'S INSTALLATION INSTRUCTIONS AND ANCHORS SHALL NOT BE USED IN SUBSTRATES WITH STRENGTHS LESS THAN THE MINIMUM STRENGTH SPECIFIED IN THE INSTALLATION ANCHOR SCHEDULE ON SHEET 2.

GENERAL NOTES:

- THIS PRODUCT HAS BEEN TESTED, EVALUATED AND DESIGNED TO THE CURRENT EDITION OF THE FLORIDA BUILDING CODE. TESTING WAS CONDUCTED IN ACCORDANCE WITH AAMA/NWWDA 101/I.S.2-97.
- THE PRODUCT DETAILS CONTAINED HEREIN ARE BASED UPON SIGNED AND SEALED TEST REPORT NO.02-48976.01 AND 02-48976.02 AND ASSOCIATED LABORATORY DRAWINGS BY ARCHITECTURAL TESTING, INC.
- THIS PRODUCT EVALUATION DOCUMENT IS NOT FOR USE IN THE HIGH VELOCITY HURRICANE ZONE (HVHZ).
- ADEQUACY OF THE EXISTING STRUCTURAL CONCRETE / MASONRY AND 2X FRAMING FRAMING SUBSTRATES AS A MAIN WIND FORCE RESISTING SYSTEM CAPABLE OF WITHSTANDING AND TRANSFERRING APPLIED PRODUCT LOADS TO THE FOUNDATION IS THE RESPONSIBILITY OF THE LICENSED PROFESSIONAL ENGINEER OR REGISTERED ARCHITECT ACTING AS THE DESIGN PROFESSIONAL OF RECORD FOR THE PROJECT OF INSTALLATION.
- 1X AND 2X BUCKS (WHEN USED) SHALL BE DESIGNED AND ANCHORED TO PROPERLY TRANSFER ALL LOADS TO THE STRUCTURE. BUCK DESIGN AND INSTALLATION IS THE RESPONSIBILITY OF THE LICENSED PROFESSIONAL ENGINEER OR REGISTERED ARCHITECT ACTING AS THE DESIGN PROFESSIONAL OF RECORD FOR THE PROJECT OF INSTALLATION.
- WHEN INSTALLED IN LOCATIONS WHERE WINDBORNE DEBRIS PROTECTION REQUIREMENTS EXIST, THIS PRODUCT REQUIRES OPENING PROTECTION IN ACCORDANCE WITH THE CURRENT EDITION OF THE FLORIDA BUILDING CODE USING AN APPROVED IMPACT PROTECTION DEVICE.
- SITE CONDITIONS NOT COVERED IN THIS PRODUCT EVALUATION DOCUMENT ARE SUBJECT TO ADDITIONAL ENGINEERING ANALYSIS BY A LICENSED PROFESSIONAL ENGINEER OR REGISTERED ARCHITECT AS REQUIRED BY THE AUTHORITY HAVING JURISDICTION.
- WINDOW FRAME MATERIAL: VINYL (PVC).
- GLASS MEETS THE REQUIREMENTS OF ASTM E1300-09a.
- DESIGNATIONS "X" STANDS FOR OPERABLE LITE/SASH AND "O" STANDS FOR FIXED LITE.
- THESE DRAWINGS CERTIFY THE WINDOW INSTALLATION ONLY. WATER PROOFING OF THE INSTALLED WINDOW IS NOT PART OF THIS INSTALLATION CERTIFICATION. THAT RESPONSIBILITY SHALL BE THAT OF THE MANUFACTURER AND/OR THE INSTALLER.

TABLE OF CONTENTS

SHEET	SHEET DESCRIPTION
1	GENERAL NOTES, INSTALLATION NOTES, TABLE OF CONTENTS
2	ANCHOR SCHEDULE - EMBEDMENT AND EDGE DISTANCE
3	48" x 84" WINDOW ELEVATION/COMBINED ANCHORING LAYOUT
4	44" x 84" WINDOW ELEVATION/FIN FRAME ANCHORING LAYOUT
5	44" x 84" WINDOW ELEVATION/THRU-FRAME ANCHORING LAYOUT
6	VERTICAL CROSS SECTION - NAILING FIN INSTALLATION
7	HORIZONTAL CROSS SECTION - NAILING FIN INSTALLATION
8	VERTICAL CROSS SECTION - THRU FRAME INSTALLATION
9	HORIZONTAL CROSS SECTION - THRU FRAME INSTALLATION
10	VERTICAL CROSS SECTION - SNAP-ON FLANGE THRU FRAME INSTALLATION
11	HORIZONTAL CROSS SECTION - SNAP-ON FLANGE THRU FRAME INSTALLATION
12	GLAZING DETAIL AND GLAZING NOTES
13	BILL OF MATERIALS

PERFORMANCE RATING

MAXIMUM WINDOW SIZE	GLAZING DETAIL (SEE SHEET 12)	DESIGN PRESSURE (PSF)	IMPACT RATING
NOMINAL 48" x 84"	B (FIXED LITE) C (SASH LITE)	+/- 25	NONE SEE NOTE 6
NOMINAL 44" x 84"	A (FIXED LITE) C (SASH LITE)	+/- 40	

PROJECT # 419-0901

RENAISSANCE WINDOWS AND DOORS
13340 INTERNATIONAL PARKWAY
JACKSONVILLE, FL 32218

TITLE: SERIES 8500 VINYL SINGLE HUNG WINDOW
GENERAL NOTES, INSTALLATION NOTES & TABLE OF CONTENTS

PREPARED BY: RJA
DATE: 12/5/19
DRAWING NO: RWVD0001
SHEET: 1 OF 13



Robert J. Amoruso, P.E.
Florida P.E. No. 49752



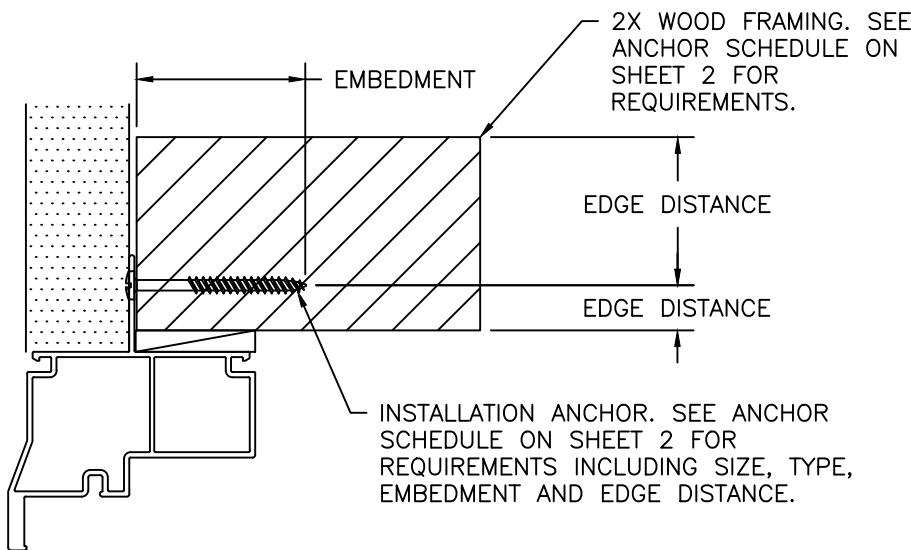
Digitally signed by
Robert J Amoruso
Date:
2019.12.05
13:52:11
-05'00'

INSTALLATION ANCHOR SCHEDULE

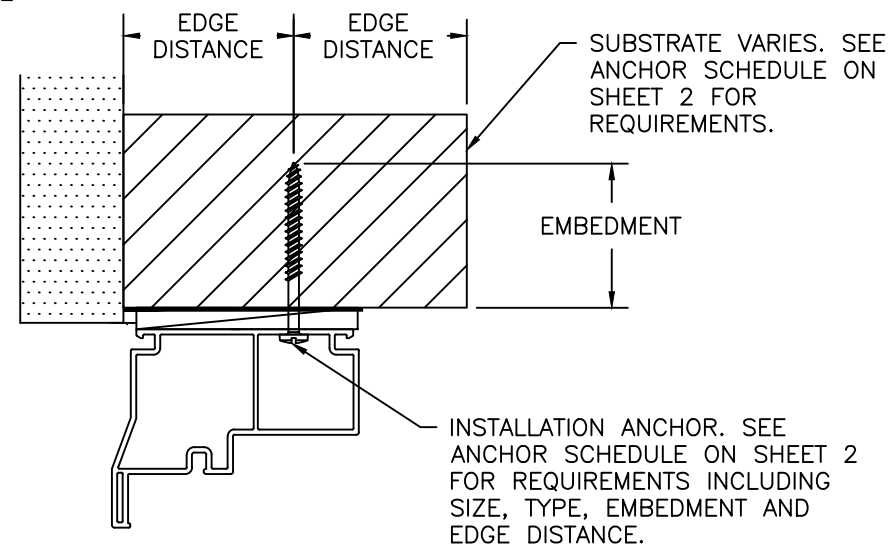
INSTALLATION TYPE	SECTION VIEW	FASTENER HEAD TYPE	FASTENER SIZE	SUBSTRATE	MANUFACTURER AND/OR SPECIFICATION	MIN. EMBEDMENT (IN)	MIN. EDGE DISTANCE (IN)	MIN. SPACING (IN) BETWEEN FRAME ANCHORS	ANCHOR CAPACITIES BASED ON
THROUGH FRAME ANCHOR	SECTION A & B (SHEETS 7 & 8)	HEX HEAD	3/16"	CONCRETE	ITW TAPCONS (1)	1	1-1/8	3	MIN. 2000 PSI CONCRETE
				MASONRY (BLOCK/CMU)	ITW TAPCONS (1)	1	2	3	STRENGTH CONFORMANCE TO ASTM C-90, MEDIUM WEIGHT
SNAP-ON FLANGE WITH THROUGH FRAME ANCHOR	SECTION A & B (SHEETS 9 & 10)	PAN HEAD	No. 10	WOOD	ANSI B18.6.1 (WOOD SCREW) (2) GRADE 2 EQUIVALENT	1-3/8	3/4	2 1/2	WOOD WITH A MINIMUM SPECIFIC GRAVITY OF 0.42.
					ASME B18.6.4 (TAPPING SCREW) (2) GRADE 2 EQUIVALENT				
NAILING FIN ANCHOR	SECTION A & B (SHEETS 5 & 6)	PAN HEAD	No. 8	WOOD	ANSI B18.6.1 (WOOD SCREW) (3) GRADE 2 EQUIVALENT	1-5/8	1/4	1	WOOD WITH A MINIMUM SPECIFIC GRAVITY OF 0.42.
					ASME B18.6.4 (TAPPING SCREW) (3) GRADE 2 EQUIVALENT				

NOTES:

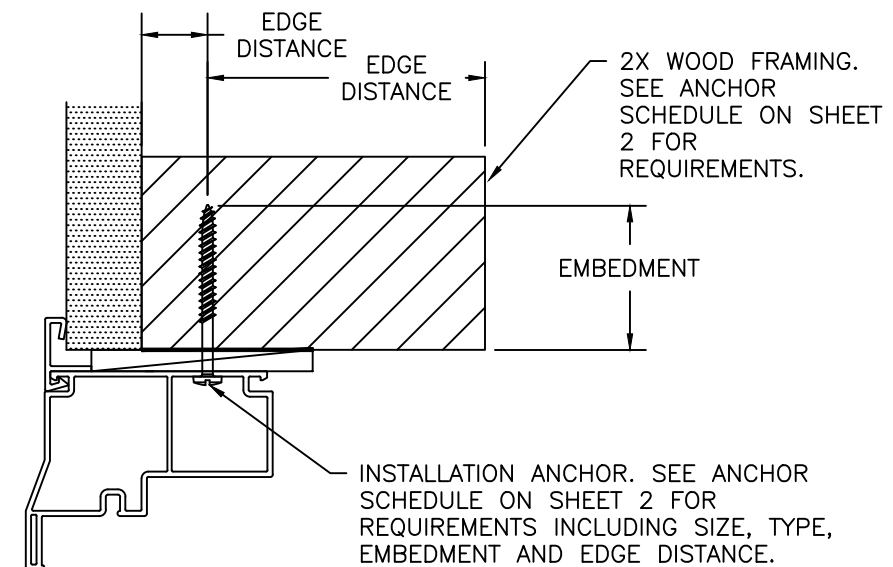
- 1) WHEN ITW TAPCONS ARE USED FOR CONCRETE/MASONRY INSTALLATION, THEY SHALL BE THE ADVANCED THREADFORM TECHNOLOGY TYPE.
- 2) FOR WOOD SCREW INSTALLATION INTO WOOD SUBSTRATE; IF SPLITTING IS A CONCERN, DRILL 0.090" PILOT HOLE (DRILL SIZE 43). FOR TAPPING SCREW INSTALLATION INTO WOOD SUBSTRATE; IF SPLITTING IS A CONCERN, DRILL 0.121" PILOT HOLE (DRILL SIZE 31).
- 3) FOR WOOD OR TAPPING SCREW INSTALLATION INTO WOOD SUBSTRATE; IF SPLITTING IS A CONCERN, DRILL 0.082" PILOT HOLE (DRILL SIZE 45).



EMBEDMENT AND EDGE DISTANCE
NAILING FIN FRAME INSTALLATION



EMBEDMENT AND EDGE DISTANCE
THROUGH-FRAME INSTALLATION



EMBEDMENT AND EDGE DISTANCE
SNAP-ON FLANGE THROUGH-FRAME INSTALLATION

PROJECT # 419-0901

RENAISSANCE WINDOWS AND DOORS
13340 INTERNATIONAL PARKWAY
JACKSONVILLE, FL 32218

TITLE: SERIES 8500 VINYL SINGLE HUNG WINDOW ANCHOR SCHEDULE - EMBEDMENT & EDGE DISTANCE

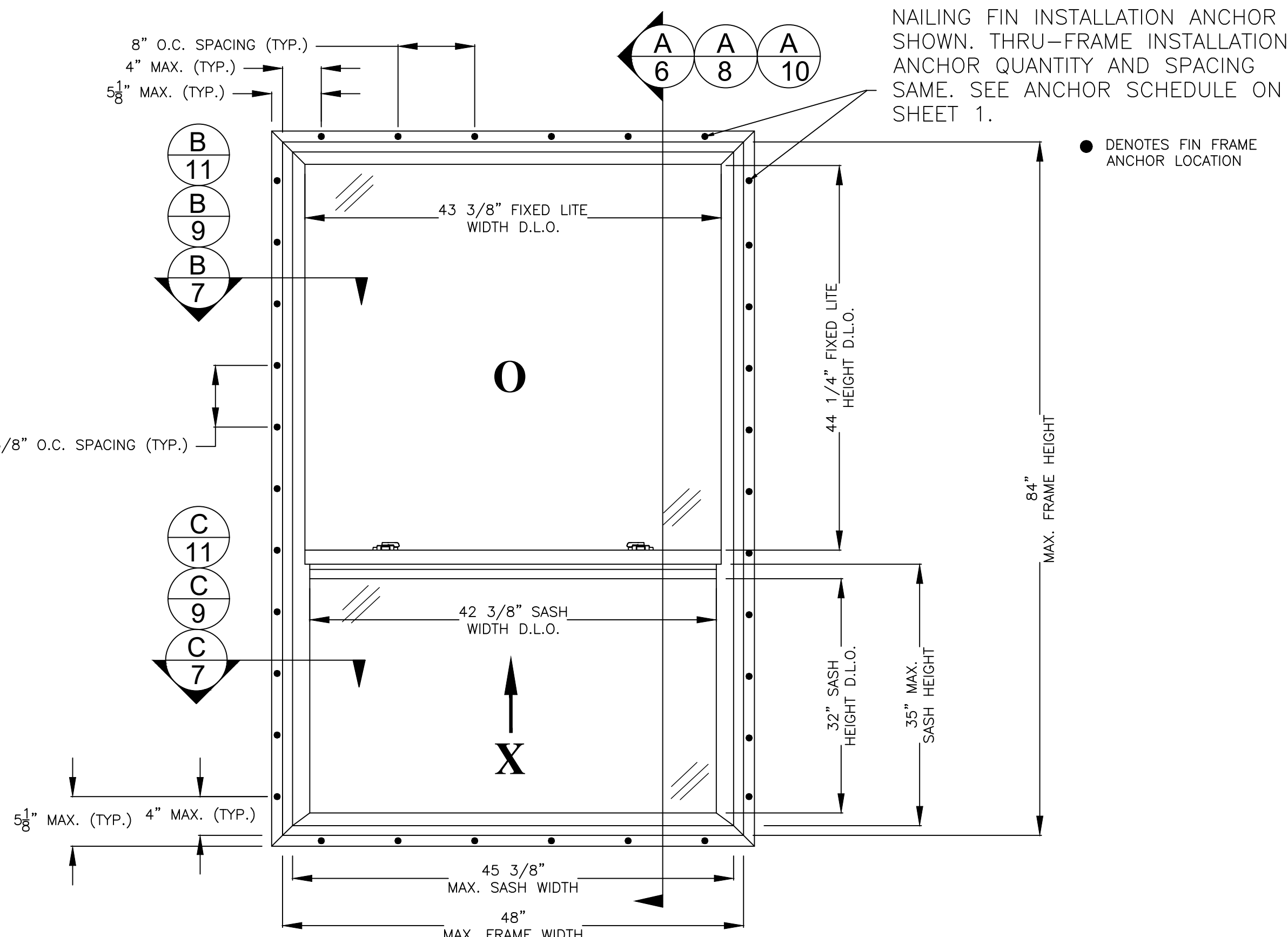
PREPARED BY: RJA
DRAWN BY: RJA
SCALE: N.T.S.
DATE: 12/5/19
DRAWING NO.: RWDO001
SHEET: 1 OF 13
REV: First Issue



Robert J. Amoruso, P.E.
Florida P.E. No. 49752



Digitally signed by Robert J Amoruso
Date: 2019.12.05 13:52:11 -05'00'



NAILING FIN INSTALLATION ANCHOR SHOWN. THRU-FRAME INSTALLATION ANCHOR QUANTITY AND SPACING SAME. SEE ANCHOR SCHEDULE ON SHEET 1.

● DENOTES FIN FRAME ANCHOR LOCATION

SERIES 8500 VINYL SINGLE HUNG WINDOW - 25 PSF DESIGN PRESSURE

EXTERIOR VIEW - SPLIT LITE WINDOW (48" X 84" NOMINAL SIZE SHOWN) - GLAZING DETAIL B & C
 FIN FRAME ANCHOR INSTALLATION SHOWN - THRU-FRAME ANCHOR INSTALLATION SAME

PROJECT # 419-0901

RENAISSANCE WINDOWS AND DOORS
 13340 INTERNATIONAL PARKWAY
 JACKSONVILLE, FL 32218

TITLE:
 SERIES 8500 VINYL SINGLE HUNG WINDOW
 48" X 84" WINDOW ELEVATION/ COMBINED ANCHORING LAYOUT

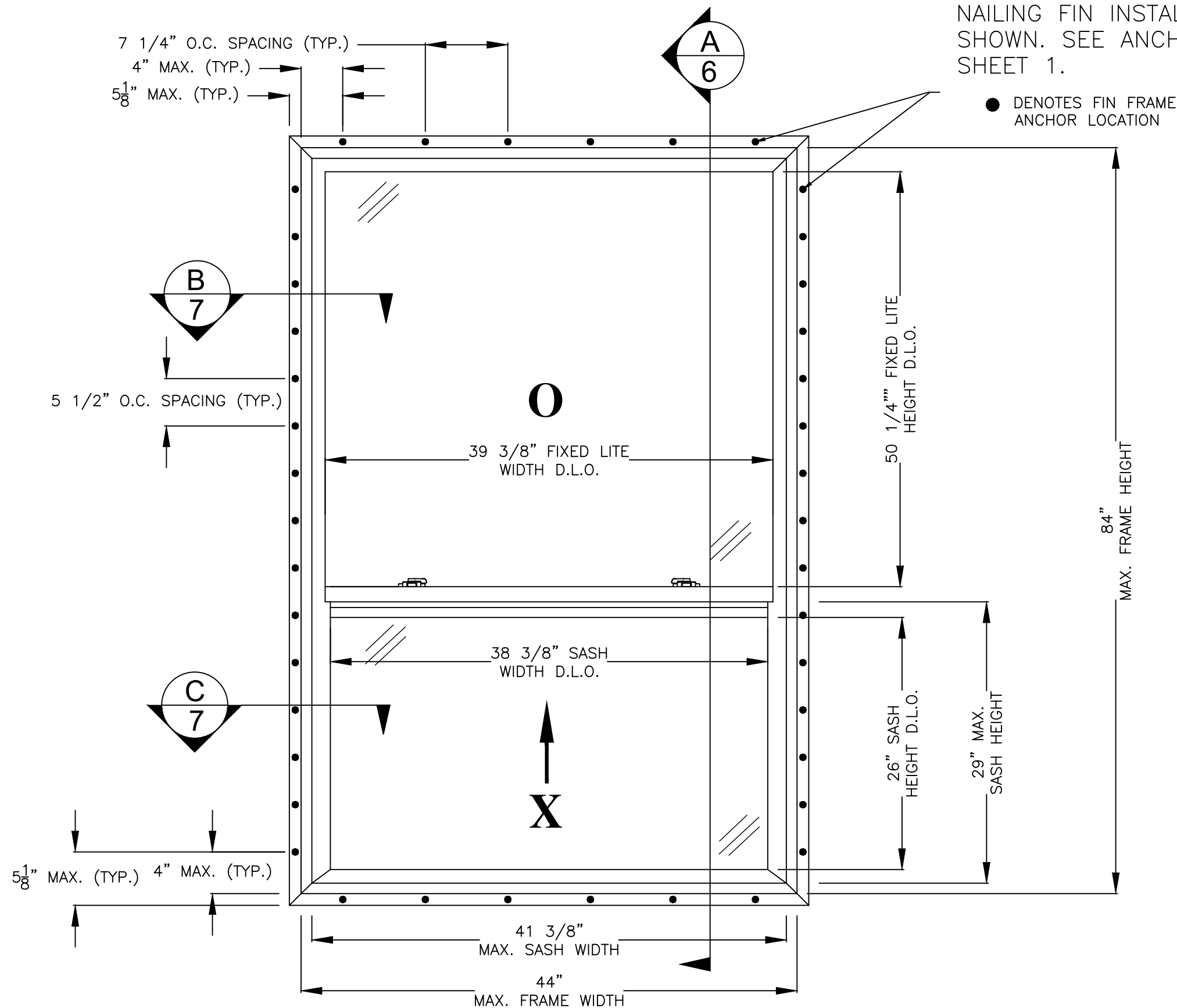
DATE:	12/5/19
DRAWING NO.:	RWDD0001
DRAWN BY:	RJA
SCALE:	N.T.S.
REV:	First Issue
SHEET:	3 OF 13



Robert J. Amoruso, P.E.
 Florida P.E. No. 49752



Digitally signed by
 Robert J Amoruso
 Date:
 2019.12.05
 13:52:11
 -05'00'



NAILING FIN INSTALLATION ANCHOR SHOWN. SEE ANCHOR SCHEDULE ON SHEET 1.

● DENOTES FIN FRAME ANCHOR LOCATION

SERIES 8500 VINYL SINGLE HUNG WINDOW - 40 PSF DESIGN PRESSURE

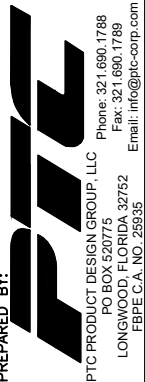
EXTERIOR VIEW - SPLIT LITE WINDOW (44" X 84" NOMINAL SIZE SHOWN) - GLAZING DETAIL A & C
FIN FRAME ANCHOR INSTALLATION

PROJECT # 419-0901

RENAISSANCE WINDOWS AND DOORS
13340 INTERNATIONAL PARKWAY
JACKSONVILLE, FL 32218

TITLE: SERIES 8500 VINYL SINGLE HUNG WINDOW
44" X 84" WINDOW ELEVATION/FIN FRAME ANCHORING LAYOUT

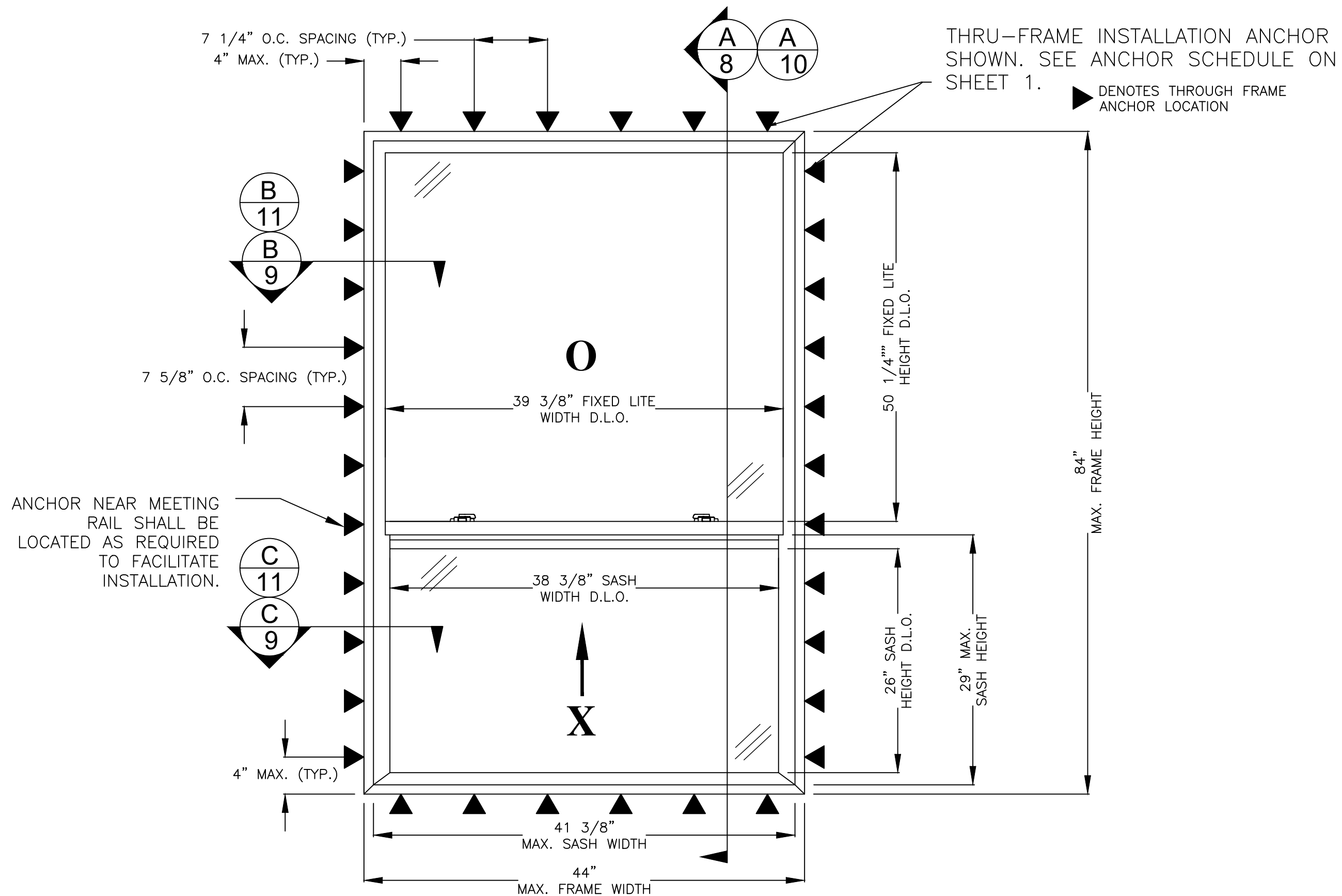
PREPARED BY: RJA
SCALE: N.T.S.
DATE: 12/5/19
DRAWING NO: RWDD0001
REV: First Issue
SHEET: 4 OF 13



Robert J. Amoruso, P.E.
Florida P.E. No. 49752



Digitally signed by
Robert J Amoruso
Date:
2019.12.05
13:52:11
-05'00'



SERIES 8500 VINYL SINGLE HUNG WINDOW - 40 PSF DESIGN PRESSURE

EXTERIOR VIEW - SPLIT LITE WINDOW (44" X 84" NOMINAL SIZE SHOWN) - GLAZING DETAIL A & C
THRU-FRAME ANCHOR INSTALLATION

PROJECT # 419-0901

RENAISSANCE WINDOWS AND DOORS
13340 INTERNATIONAL PARKWAY
JACKSONVILLE, FL 32218

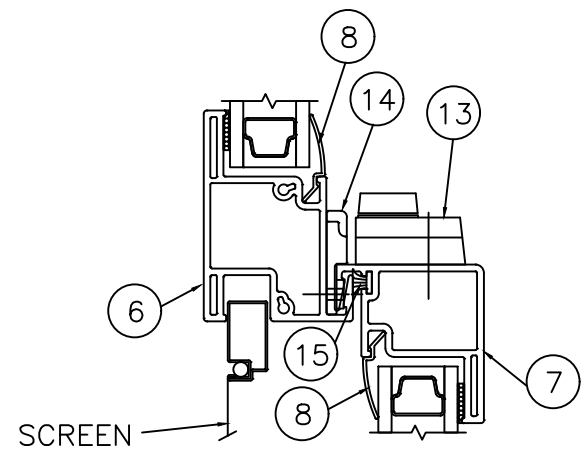
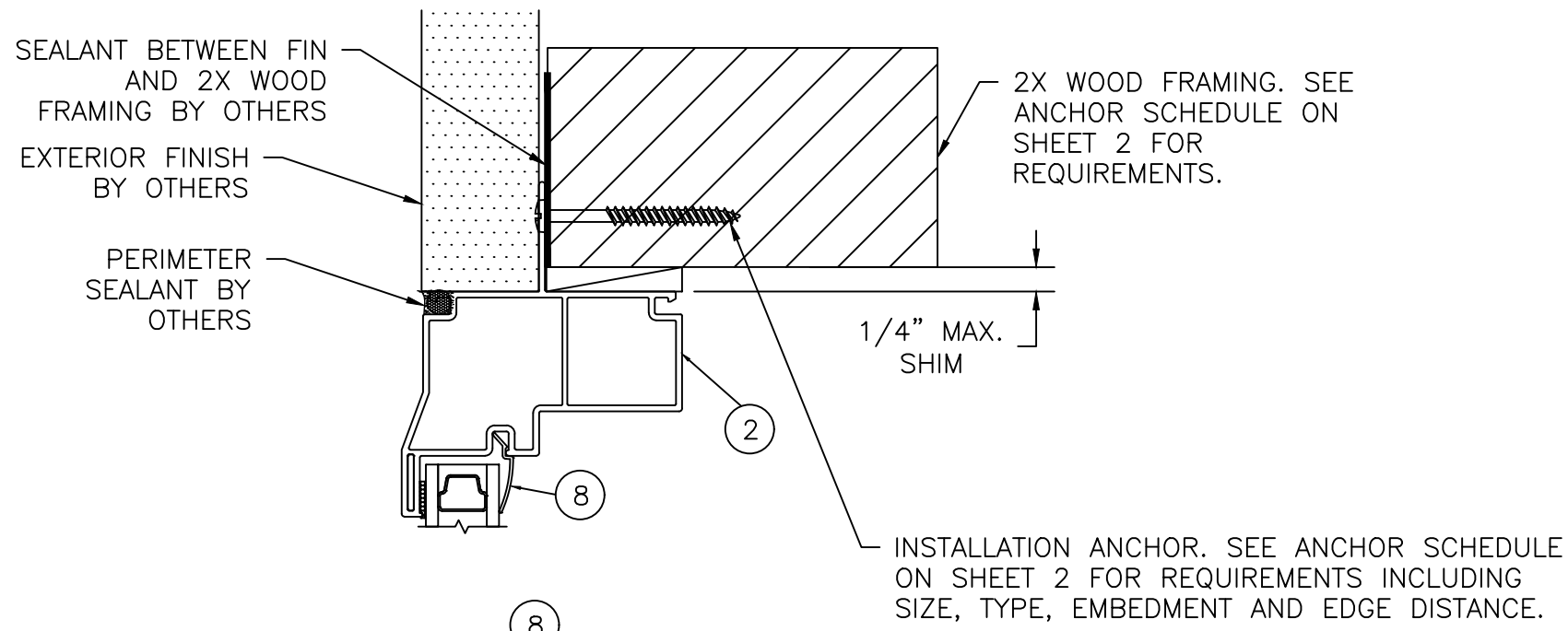
TITLE: SERIES 8500 VINYL SINGLE HUNG WINDOW
44" X 84" WINDOW ELEVATION/THRU-FRAME ANCHORING LAYOUT

PREPARED BY:	RJA	DATE:	12/5/19
DRAWN BY:	RJA	DRAWING NO.:	RWDD0001
SCALE:	N.T.S.	REV:	First Issue
PROJECT DESIGN GROUP, LLC PO BOX 520775 LONGWOOD, FL 32752 FBPE C.A. NO. 29355	Phone: 321.690.1788 Fax: 321.690.1789 Email: info@gpc-corp.com	SHEET:	5 OF 13

Robert J. Amoruso, P.E.
Florida P.E. No. 49752

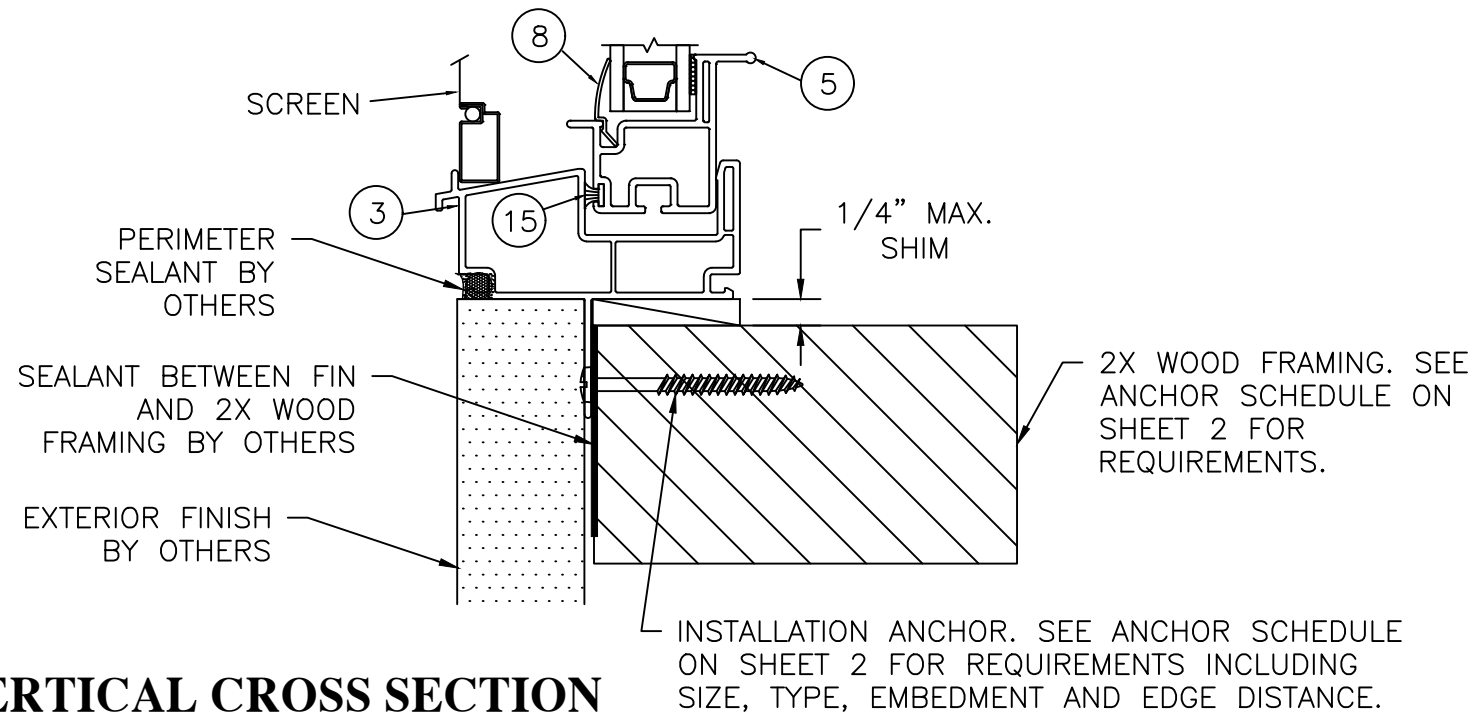


Digitally signed by
Robert J Amoruso
Date:
2019.12.05
13:52:11
-05'00'



EXTERIOR

INTERIOR



A
6 **VERTICAL CROSS SECTION**
NAILING FIN FRAME INSTALLATION

INSTALLATION ANCHOR. SEE ANCHOR SCHEDULE ON SHEET 2 FOR REQUIREMENTS INCLUDING SIZE, TYPE, EMBEDMENT AND EDGE DISTANCE.

F

PROJECT # 419-0901

RENAISSANCE WINDOWS AND DOORS
13340 INTERNATIONAL PARKWAY
JACKSONVILLE, FL 32218

TITLE: SERIES 8500 VINYL SINGLE HUNG WINDOW
VERTICAL CROSS SECTION - NAILING FIN INSTALLATION

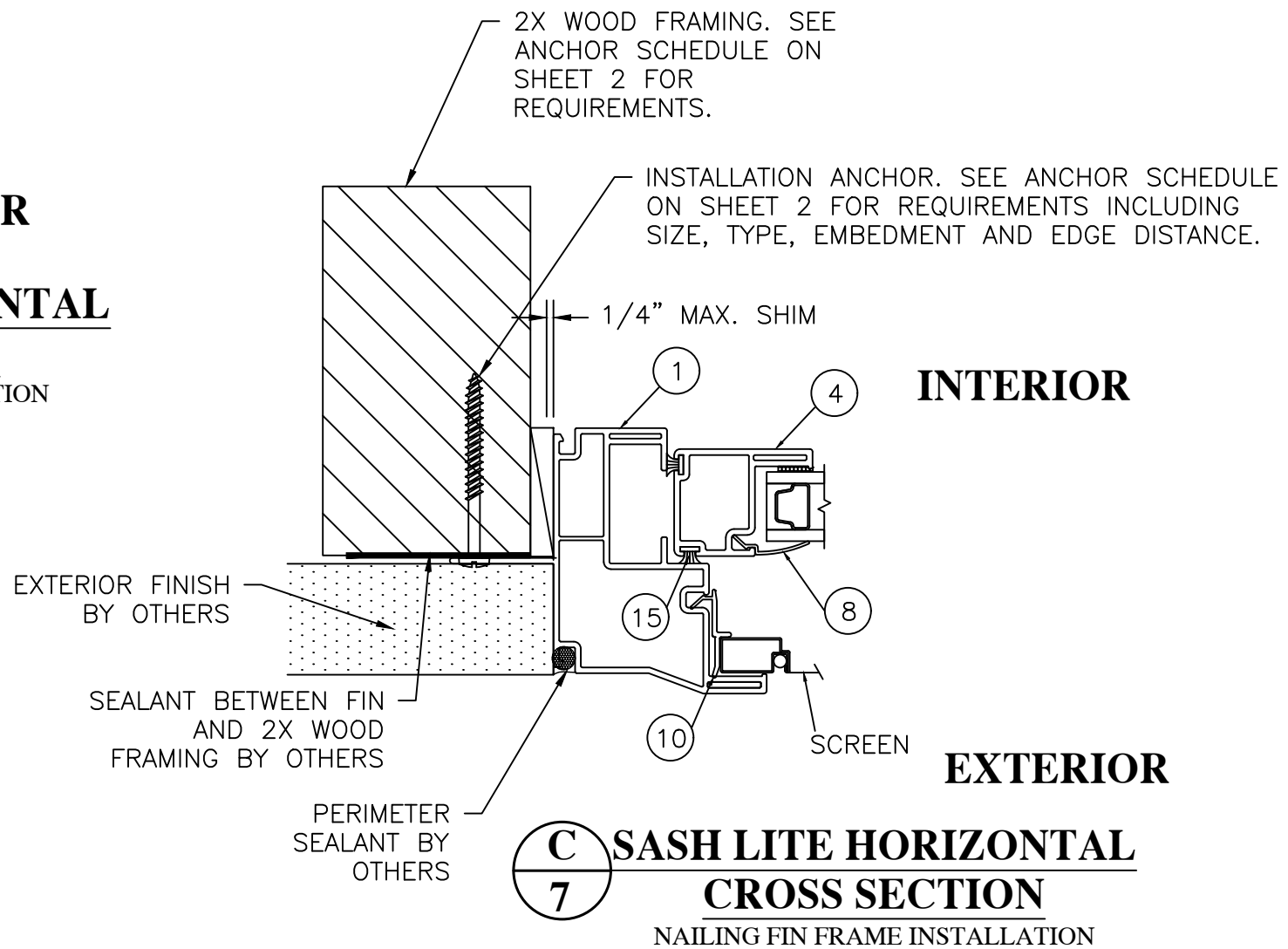
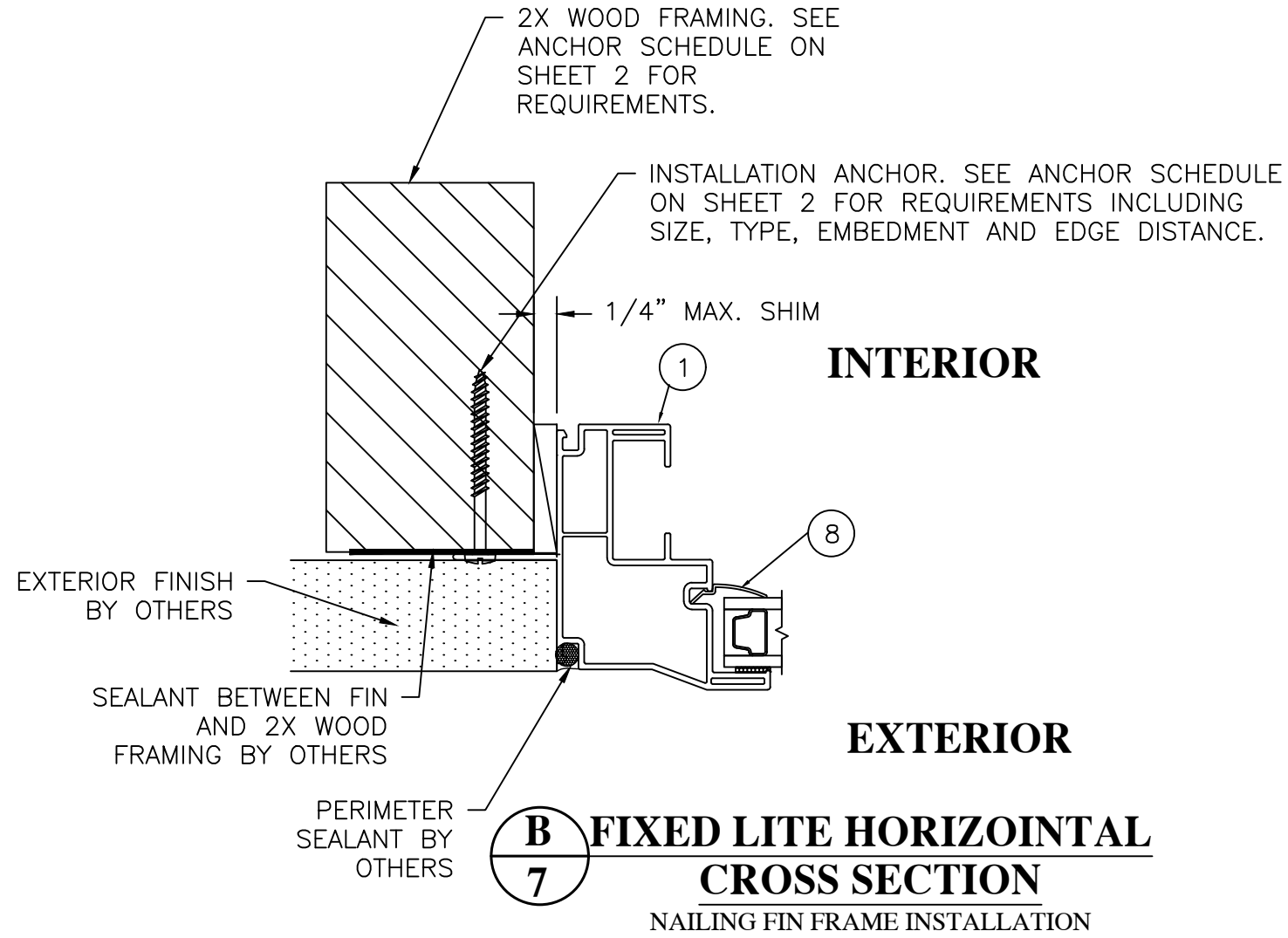
PREPARED BY: RJA
DATE: 12/5/19
DRAWING NO: RWDD0001
SCALE: N.T.S.
REV: First Issue
SHEET: 6 OF 13



Robert J. Amoruso, P.E.
Florida P.E. No. 49752



Digitally signed by
Robert J Amoruso
Date:
2019.12.05
13:52:11
-05'00'



PROJECT # 419-0901

RENAISSANCE WINDOWS AND DOORS
13340 INTERNATIONAL PARKWAY
JACKSONVILLE, FL 32218

TITLE: SERIES 8500 VINYL SINGLE HUNG WINDOW
HORIZONTAL CROSS SECTION - NAILING FIN INSTALLATION

PREPARED BY: RJA
DRAWN BY: RJA
DATE: 12/5/19
SCALE: N.T.S.
DRAWING NO: RWDD0001

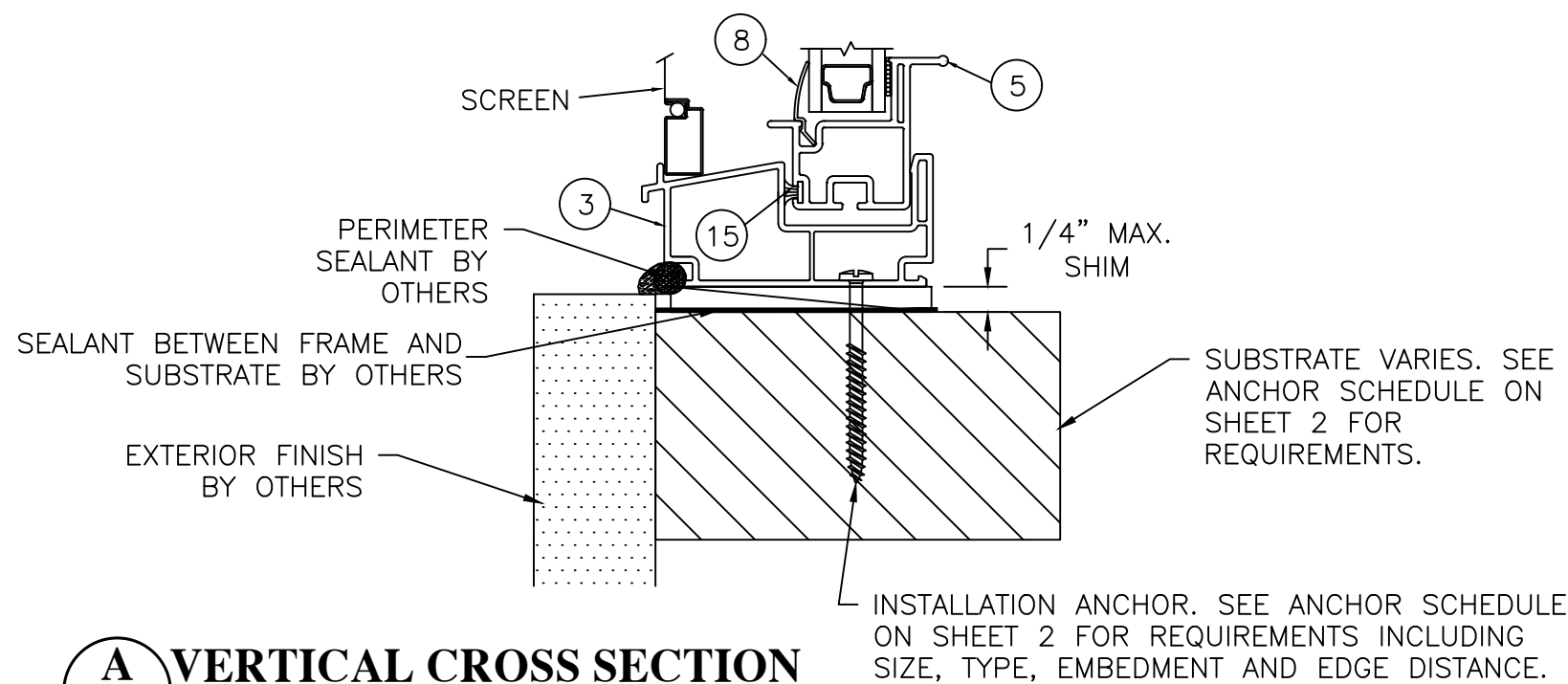
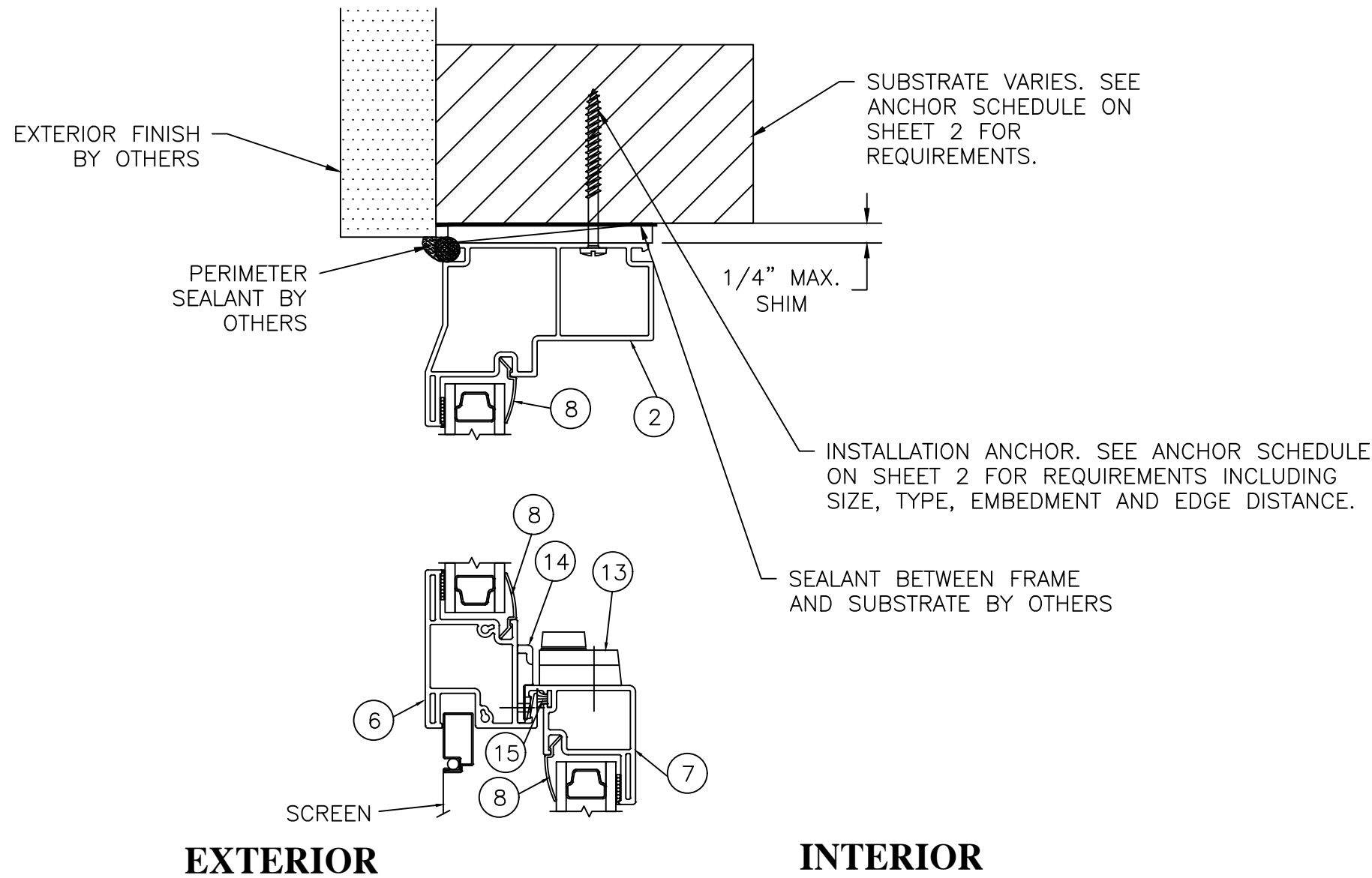
REV: First Issue
SHEET: 7 OF 13

DESCRIPTION
DATE
BY

Robert J. Amoruso, P.E.
Florida P.E. No. 49752



Digitally signed by Robert J Amoruso
Date: 2019.12.05 13:52:11 -05'00'



A VERTICAL CROSS SECTION
8 THROUGH-FRAME INSTALLATION

PROJECT # 419-0901

RENAISSANCE WINDOWS AND DOORS
 13340 INTERNATIONAL PARKWAY
 JACKSONVILLE, FL 32218

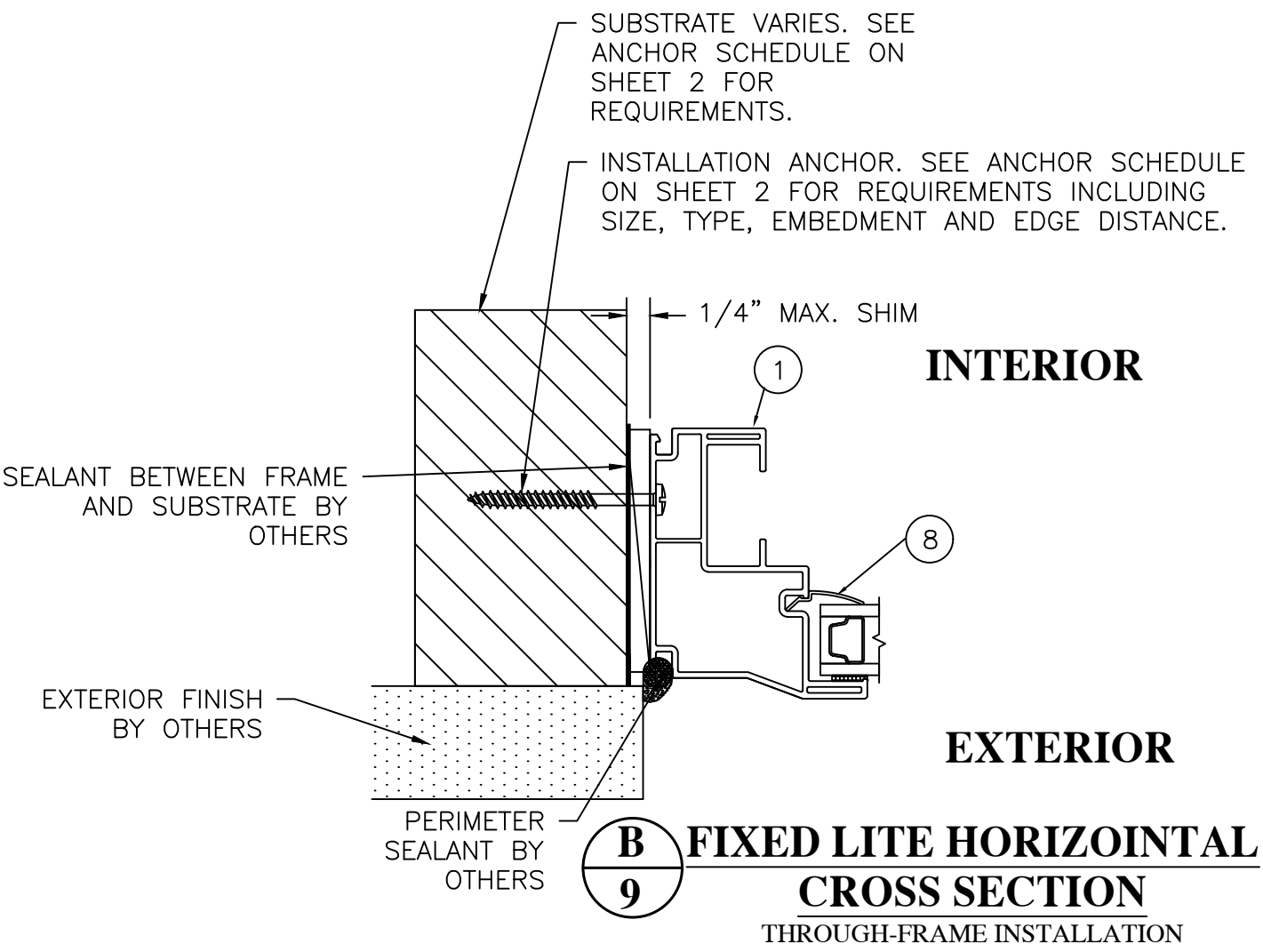
TITLE: SERIES 8500 VINYL SINGLE HUNG WINDOW
 VERTICAL CROSS SECTION - THRU FRAME INSTALLATION

PREPARED BY:	DATE:	DATE:	REV:
PTC PRODUCT DESIGN GROUP, LLC PO BOX 520775 LONGWOOD, FL 32752 FBPE C.A. NO. 29355	12/5/19	12/5/19	8 OF 13
SCALE: N.T.S.	DRAWING NO: RWD0001	DESCRIPTION	BY
DRAWN BY: RJA	REV: First Issue	DATE	BY

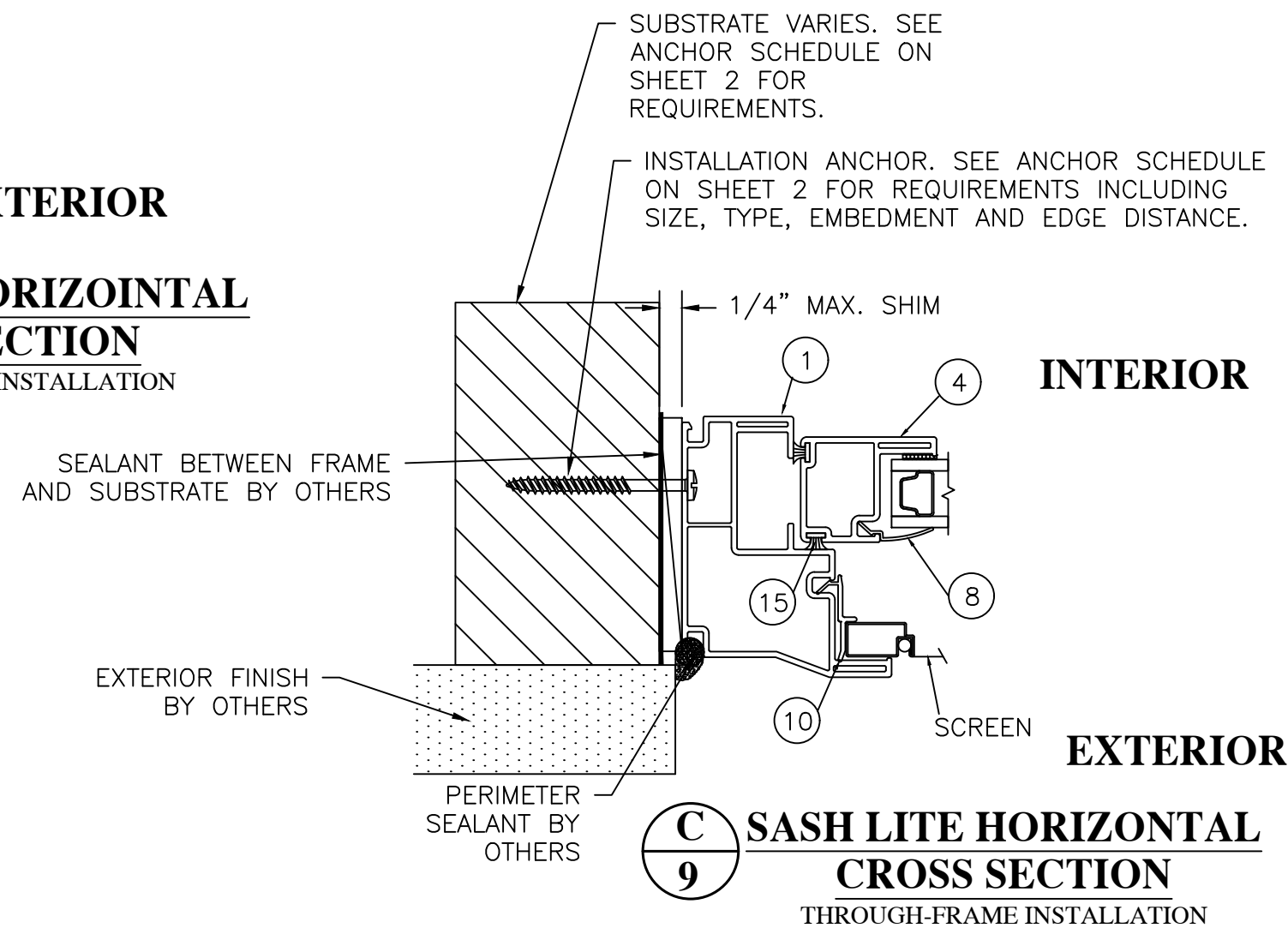
Robert J. Amoruso, P.E.
 Florida P.E. No. 49752



Digitally signed by
 Robert J Amoruso
 Date: 2019.12.05
 13:52:11
 -05'00'



B
9 **FIXED LITE HORIZONTAL CROSS SECTION THROUGH-FRAME INSTALLATION**



C
9 **SASH LITE HORIZONTAL CROSS SECTION THROUGH-FRAME INSTALLATION**

PROJECT # 419-0901

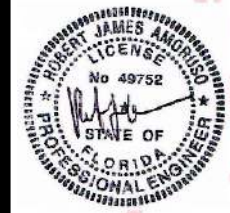
RENAISSANCE WINDOWS AND DOORS
13340 INTERNATIONAL PARKWAY
JACKSONVILLE, FL 32218

TITLE: SERIES 8500 VINYL SINGLE HUNG WINDOW HORIZONTAL CROSS SECTION - THRU FRAME INSTALLATION

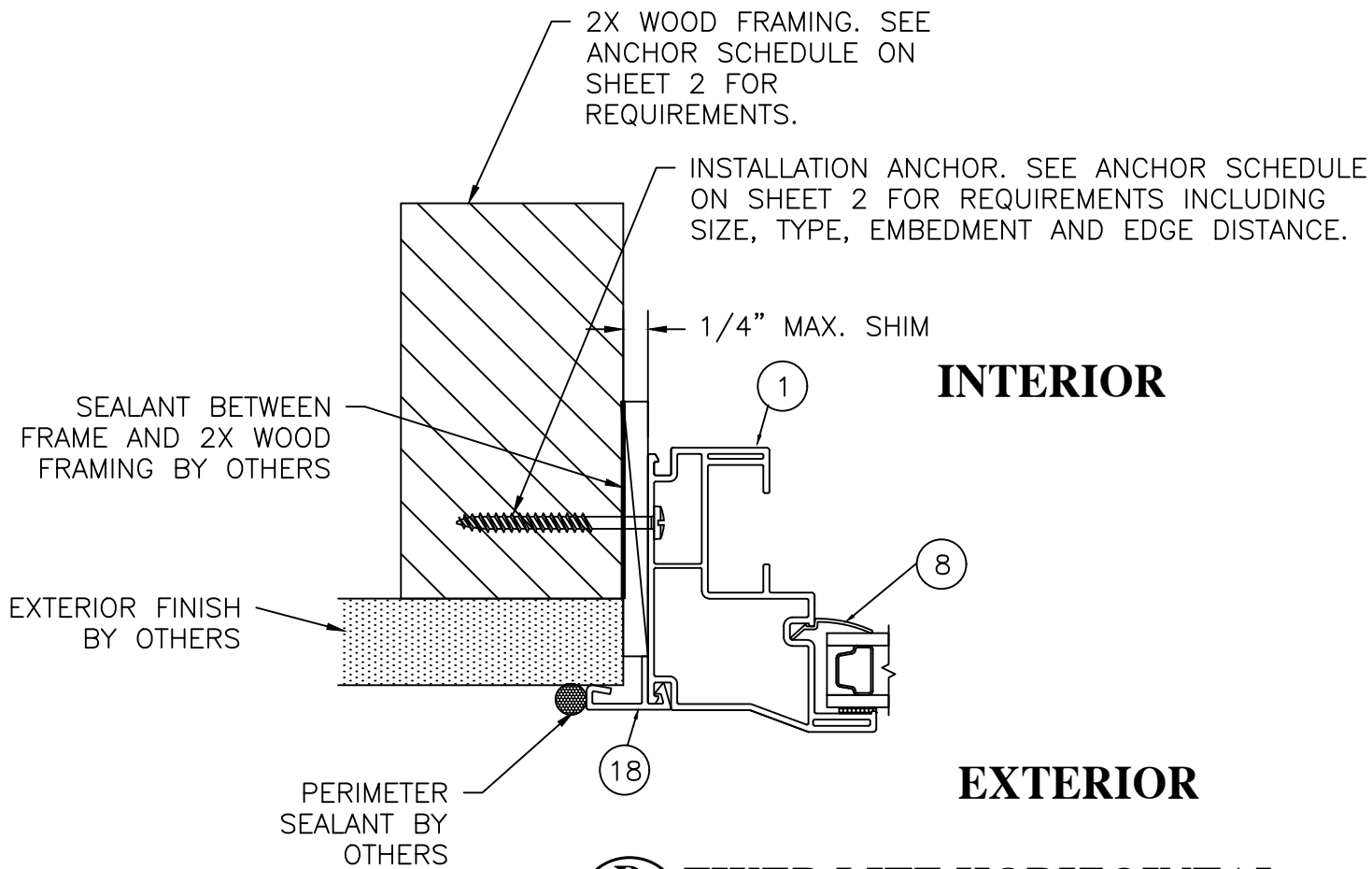
PREPARED BY:	RJA	DATE:	12/5/19
DRAWN BY:	RJA	DRAWING NO.:	RWD0001
SCALE:	N.T.S.	REV:	9 OF 13
REV:	First Issue	DESCRIPTION	DATE
			BY



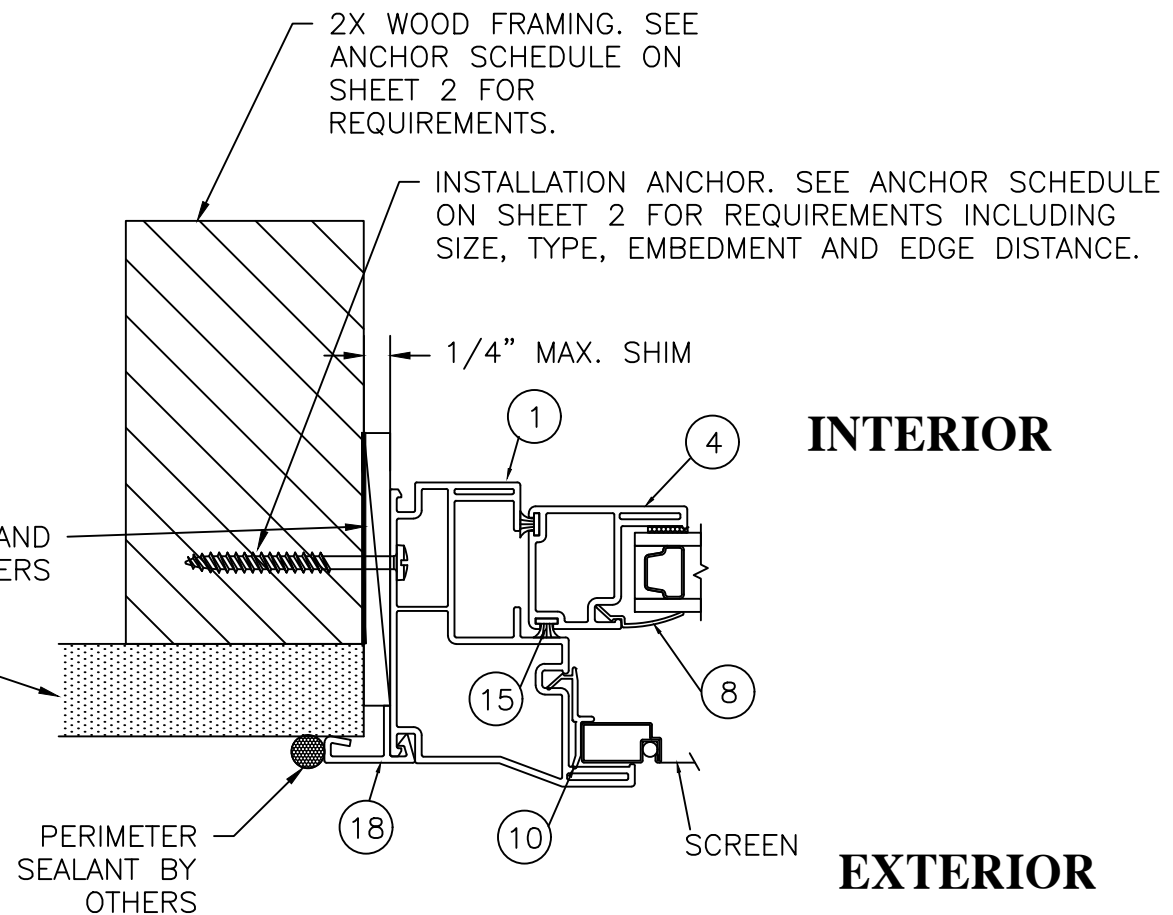
Robert J. Amoruso, P.E.
Florida P.E. No. 49752



Digitally signed by Robert J Amoruso
Date: 2019.12.05 13:52:11 -05'00'



B
11 **FIXED LITE HORIZONTAL**
CROSS SECTION
SNAP-ON FLANGE
THROUGH-FRAME INSTALLATION



C
11 **SASH LITE HORIZONTAL**
CROSS SECTION
SNAP-ON FLANGE
THROUGH-FRAME INSTALLATION

PROJECT # 419-0901

RENAISSANCE WINDOWS AND DOORS
13340 INTERNATIONAL PARKWAY
JACKSONVILLE, FL 32218

TITLE: SERIES 8500 VINYL SINGLE HUNG WINDOW
HORIZ. CROSS SECTION - SNAP-ON FLANGE THRU FRAME INST.

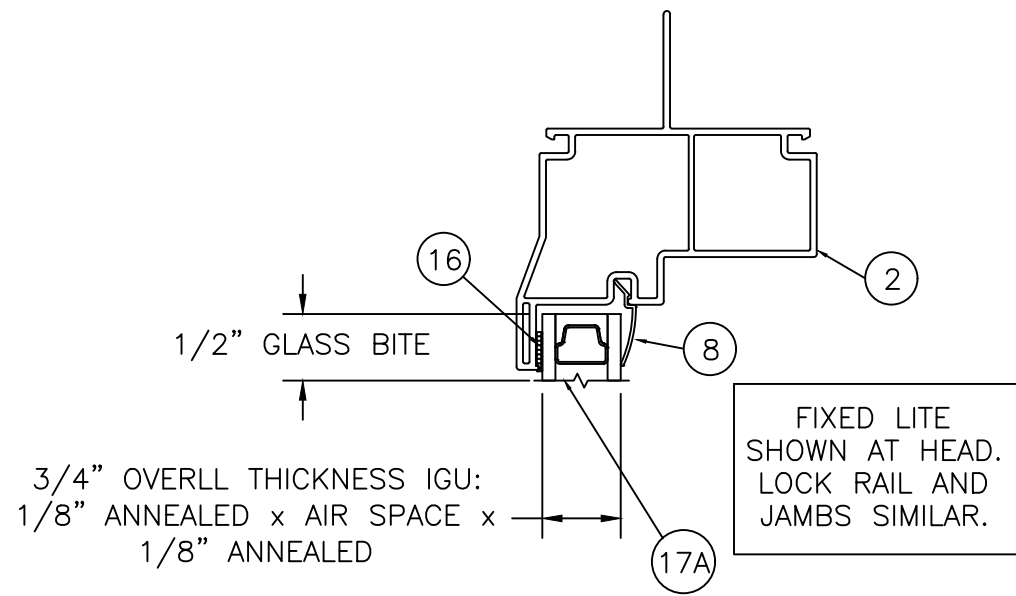
PREPARED BY: RJA
DRAWN BY: RJA
SCALE: N.T.S.
DATE: 12/5/19
DRAWING NO: RWDO0001
REV: First Issue
SHEET: 11 OF 13



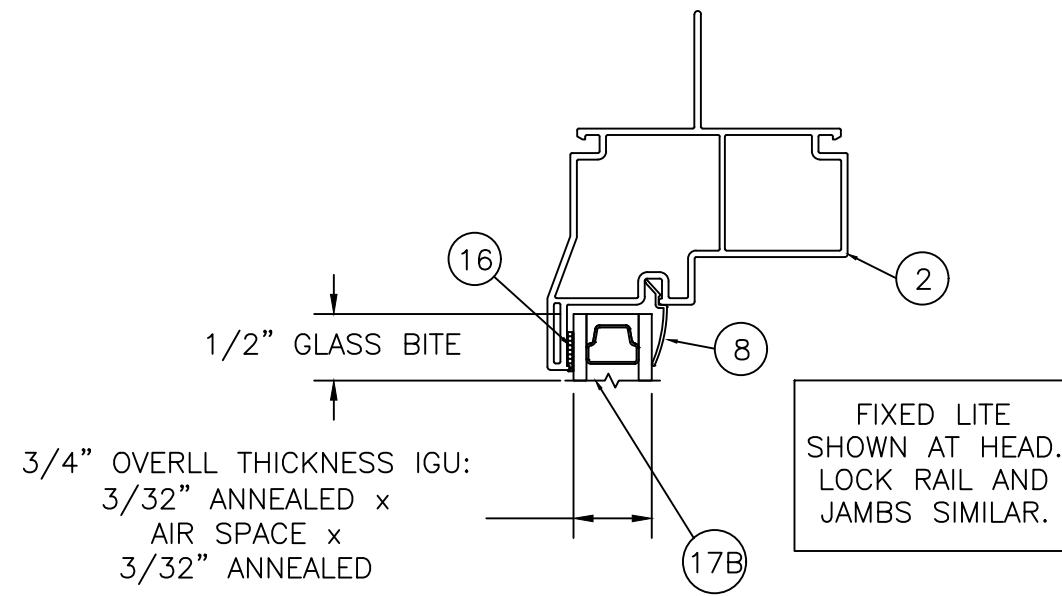
Robert J. Amoruso, P.E.
Florida P.E. No. 49752



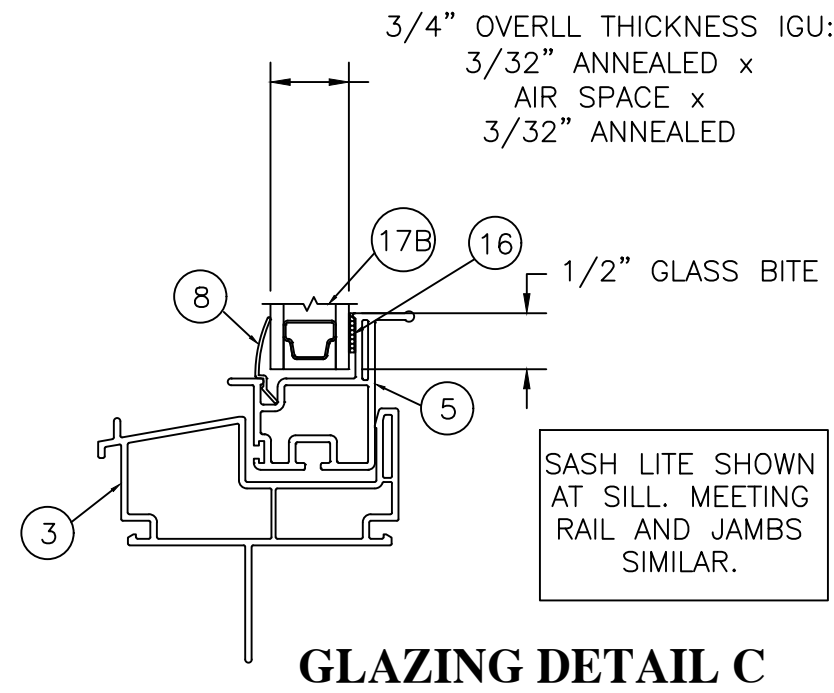
Digitally signed by
Robert J Amoruso
Date:
2019.12.05
13:52:11
-05'00'



GLAZING DETAIL A
 APPLICABLE AT FIXED LITE FOR DESIGN PRESSURE
 GREATER THAN 25 PSF



GLAZING DETAIL B



GLAZING DETAIL C

NOTES:

1. A MINIMUM OF TWO (2) NEOPRENE SETTING BLOCKS WITH 70 TO 90 SHORE A DUROMETER HARDNESS ARE REQUIRED AT BOTTOM (SILL) OF GLAZING LITES MORE THAN 3 FEET IN WIDTH.
2. AS-TESTED IGU SYSTEM SHOWN. OTHER SUBSTITUTES ARE ALLOW WHILE MAINTAINING INDIVIDUAL LITE THICKNESS AND TEMPER.

PROJECT # 419-0901

RENAISSANCE WINDOWS AND DOORS
 13340 INTERNATIONAL PARKWAY
 JACKSONVILLE, FL 32218

TITLE: SERIES 8500 VINYL SINGLE HUNG WINDOW
 GLAZING DETAILS AND NOTES

DRAWN BY:	RJA	DATE:	12/5/19
SCALE:	N.T.S.	DRAWING NO.:	RWVD0001
REV:	First Issue	SHEET:	12 OF 13

PTC PRODUCT DESIGN GROUP, LLC
 PO BOX 520775
 LONGWOOD, FL 32752
 FBPE, C.A. NO. 29355
 Phone: 321.690.1788
 Fax: 321.690.1789
 Email: info@ptc-corp.com

Robert J. Amoruso, P.E.
 Florida P.E. No. 49752



Digitally signed by
 Robert J Amoruso
 Date:
 2019.12.05
 13:52:11
 -05'00'

BOM NO.	PART NO.	DESCRIPTION	REMARKS
1	7867	JAMB	PVC
2	7868	HEAD	PVC
3	7869	SILL	PVC
4	7863	VENT STILE	PVC
5	7866	VENT RAIL - SILL	PVC
6	7864	FIXED INTERLOCK	PVC
7	7865	VENT INTERLOCK	PVC
8	6177	GLAZING BEAD	PVC
9	6555	SETTING BLOCK	NOT SHOWN
10	7871	SCREEN LOCK	PVC
LOCK SET			
11	9208	BASE	NOT SHOWN
12	9202	LEVER	NOT SHOWN
13	9203	CAM	
14	9659	KEEPER	
15	23718745	WEATHERSTRIP	.187 x .230 FIN PILE
GLAZING			
16		WET GLAZING COMPOUND	SILICONE
17A	GLAZING DETAIL A	3/4" OVERLL THICKNESS IGU 1/8" ANNEALED X AIR SPACE X 1/8" ANNEALED	
17B	GLAZING DETAIL B & C	3/4" OVERLL THICKNESS IGU 3/32" ANNEALED X AIR SPACE X 3/32" ANNEALED	
INSTALLATION COMPONENTS			
18	8461	SNAP-ON FLANGE	PVC

PROJECT # 419-0901

RENAISSANCE WINDOWS AND DOORS
13340 INTERNATIONAL PARKWAY
JACKSONVILLE, FL 32218TITLE: SERIES 8500 VINYL SINGLE HUNG WINDOW
BILL OR MATERIALS

PREPARED BY: RJA

DRAWN BY: RJA

DATE: 12/5/19

P/TIC PRODUCT DESIGN GROUP, LLC
PO BOX 520775
LONGWOOD, FL 32752
FBPE C.A. NO. 29355

SCALE: N.T.S.

DRAWING NO: RWD0001

REV: First Issue

SHEET: 13 OF 13

REV

DESCRIPTION

DATE

BY

Robert J. Amoruso, P.E.
Florida P.E. No. 49752

Digitally
signed by
Robert J
Amoruso
Date:
2019.12.05
13:52:11
-05'00'